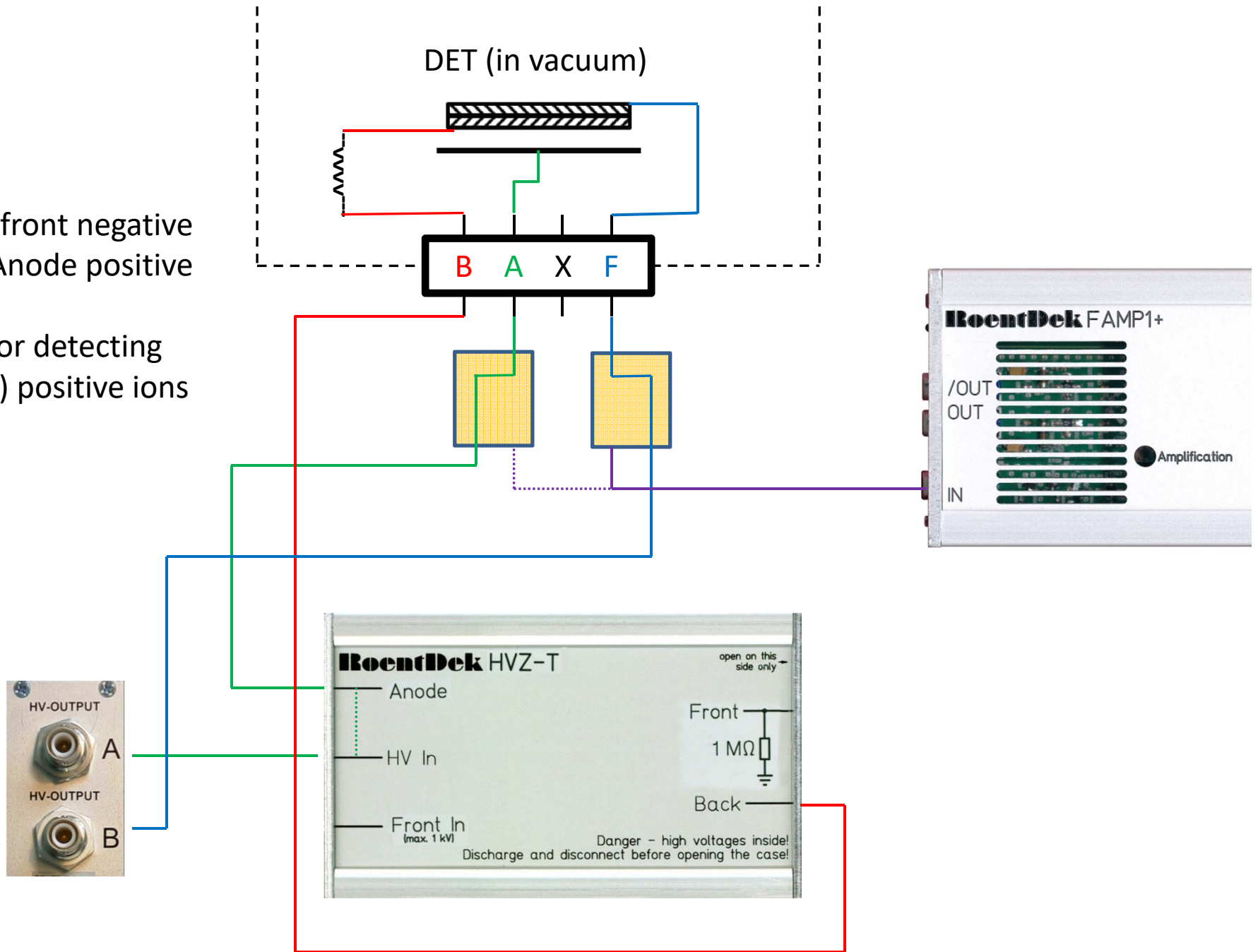
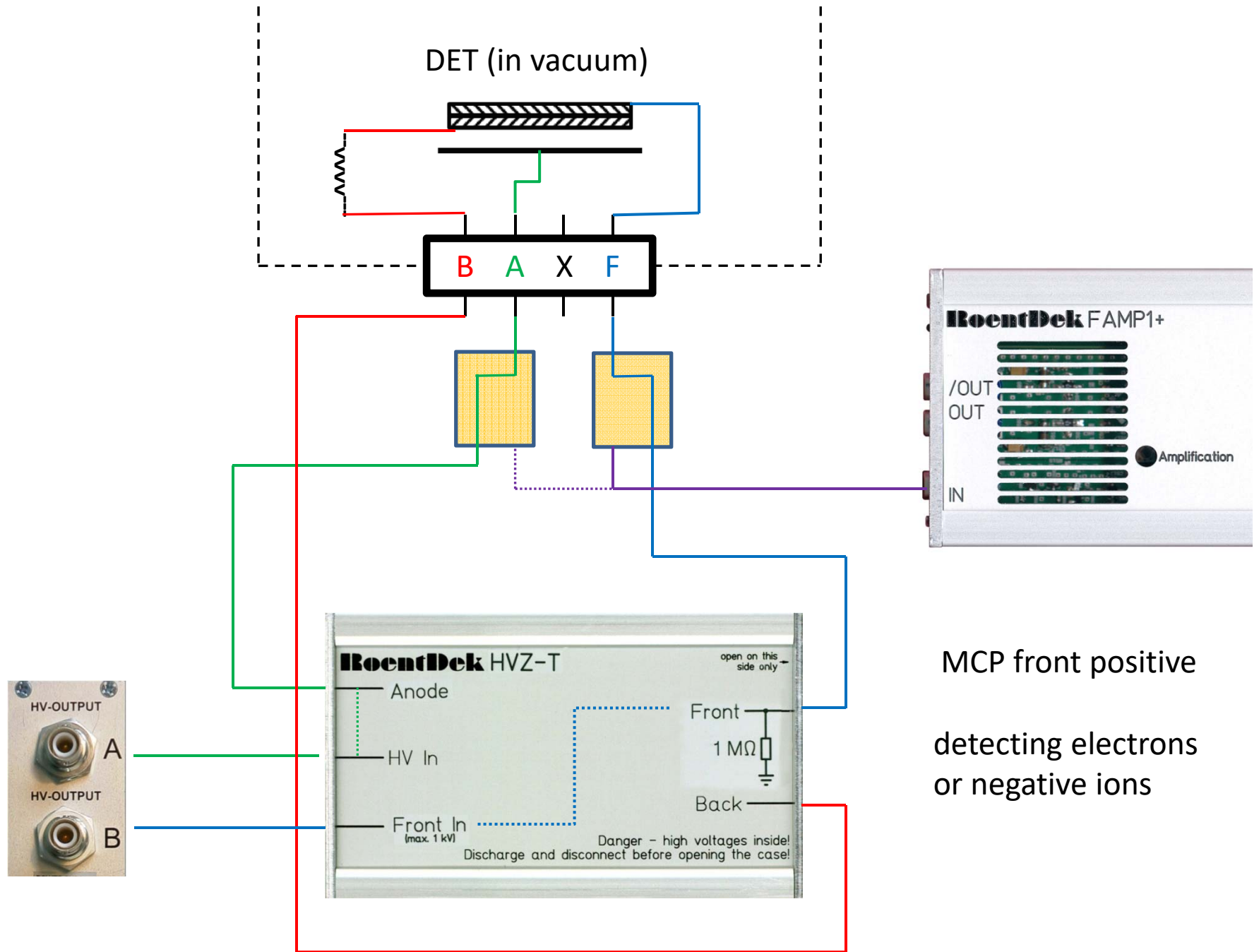


MCP front negative
and Anode positive

e.g. for detecting
(light) positive ions





MCP front positive

detecting electrons
or negative ions

“Anode” negative
for detecting very
heavy Anions

