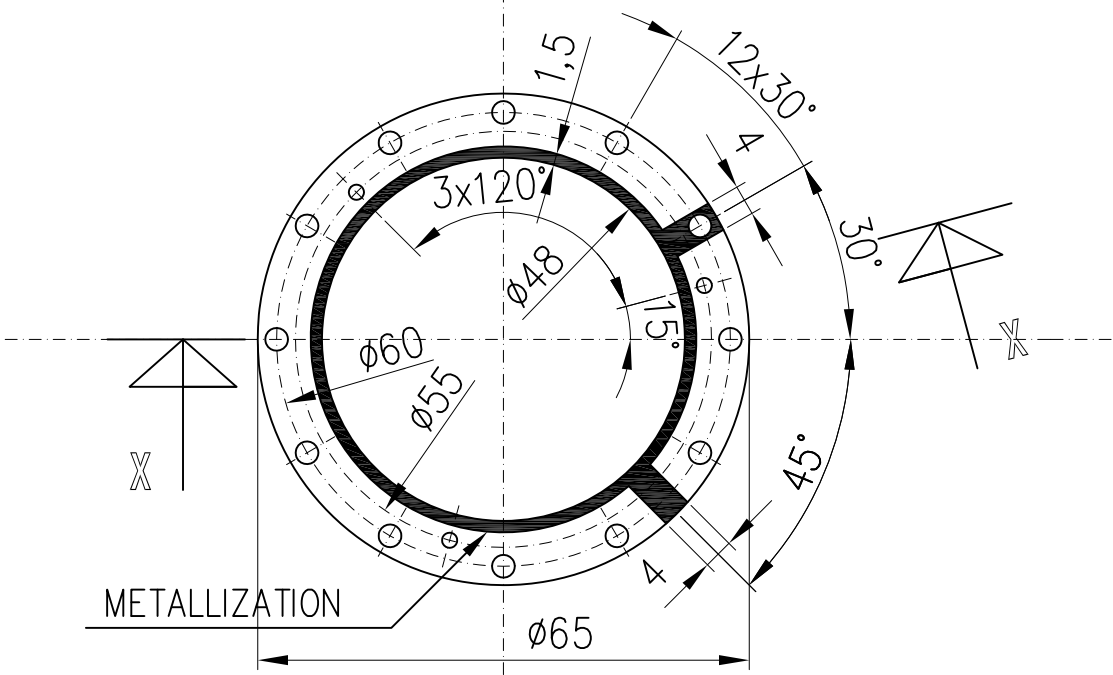
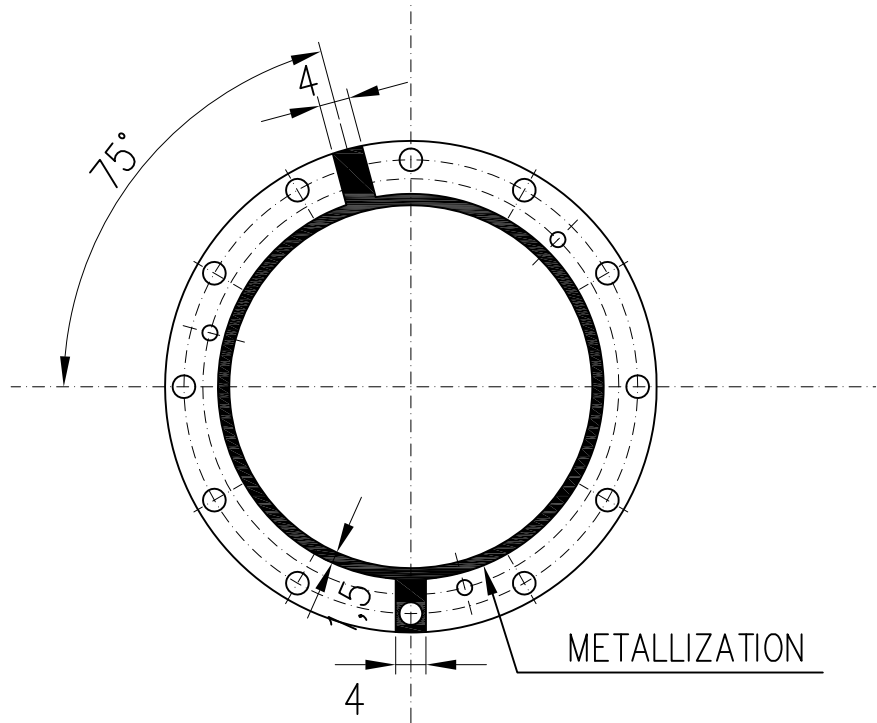


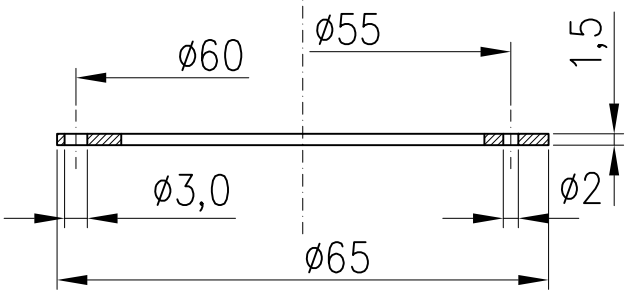
CERAMIC RING FOR DLD40 - DOUBLE METALLIZATION



TOP VIEW



BOTTOM VIEW



SECTION X-X