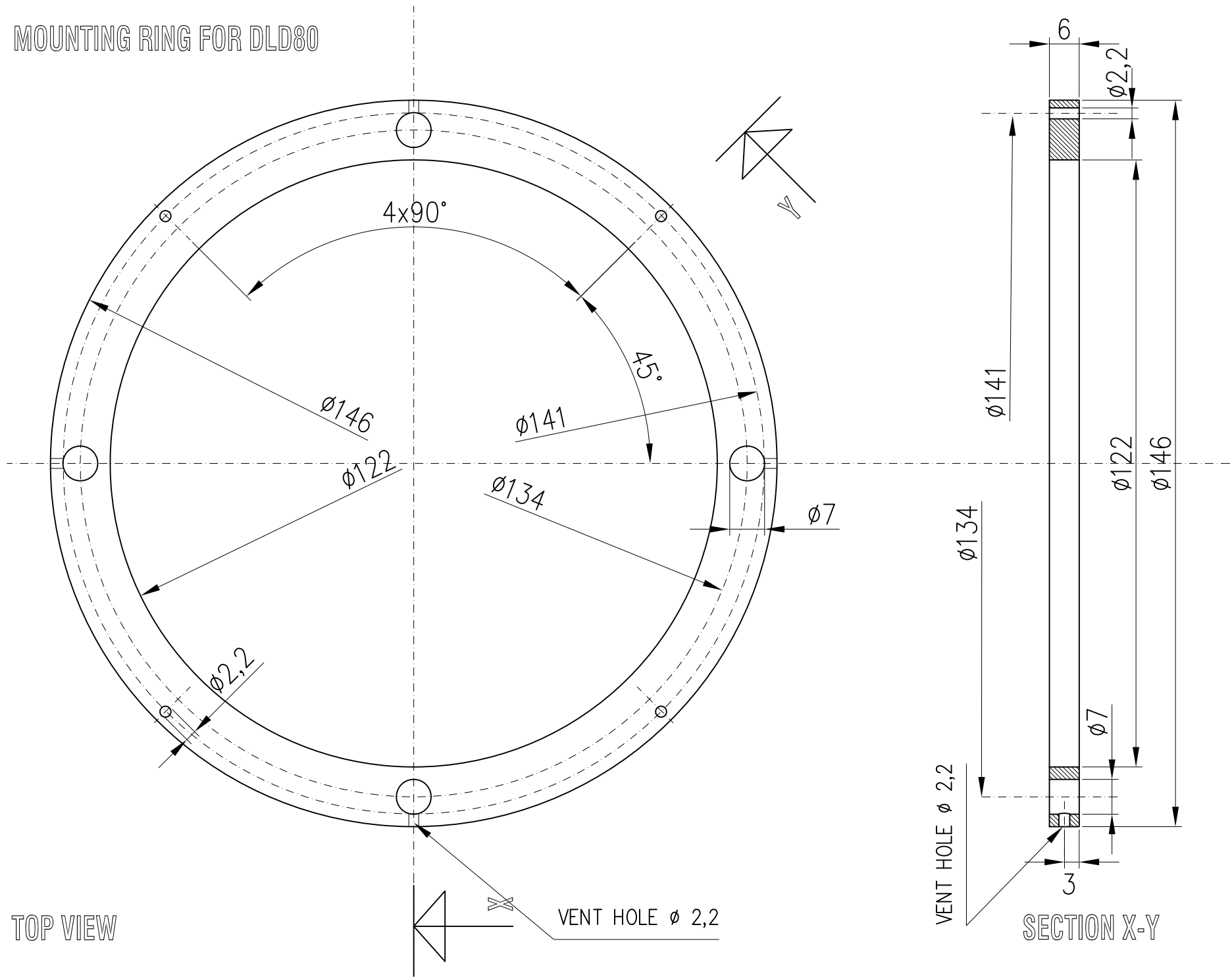


# MOUNTING RING FOR DLD80



TOP VIEW

VENT HOLE  $\phi 2,2$

SECTION X-Y